
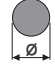



QUICK SELECTION / Selezione veloce input speed (n₁) = 1400 min⁻¹

Output Speed n ₂ [min ⁻¹]	Ratio i	Motor power P _{1M} [kW]	Output torque M _{2M} [Nm]	Service factor f.s.	Nominal power P _{1R} [kW]	Nominal torque M _{2R} [Nm]	Available B5 motor flanges				Available B14 motor flanges			Output Shaft 	Output Shaft 	Ratios code 	
							-B	-C	-D	-E	-Q	-R	-T				
							63	71*	80*	90*	71	80	90				
407	3.44	1.5	34	1.0	1.6	35	B				C	C		2821	standard ø20	01	
327	4.28	1.5	42	1.0	1.4	40	B				C	C		2818		02	
257	5.45	1.5	53	1.0	1.5	52	B				C	C		2815		03	
225	6.23	1.5	61	1.1	1.7	70	B				C	C		1921		04	
194	7.20	1.5	71	1.0	1.5	70	B				C	C		2812		05	
181	7.74	1.5	76	1.1	1.6	80	B				C	C		1918		06	
142	9.85	1.5	97	1.0	1.5	95	B				C	C		1915		07	
123	11.42	1.5	112	1.0	1.5	115	B				C	C		1715		08	
107	13.03	1.1	93	1.2	1.3	114	B				C	C		1912		ø14	09
93	15.10	1.1	108	1.1	1.2	114	B				C	C		1712		ø16	10
86	16.20	0.75	80	1.3	1.0	107	B				C	C		1910	ø19	11	
75	18.78	0.75	92	1.2	0.87	107	B				C	C		1710	ø20	12	
66	21.15	0.75	104	1.1	0.82	114	B				C	C		1312	ø24	13	
64	21.84	0.75	107	1.1	0.83	119	B				C	C		1015	ø25	14	
53	26.31	0.55	95	1.1	0.62	107	B				C	C		1310	ø28	15	
48.5	28.88	0.55	105	1.1	0.60	114	B				C	C		1012	On request	16	
39	35.91	0.37	87	1.2	0.46	107	B				C	C		1010		17	
37.1	37.69	0.37	91	1.1	0.41	102	B				C	C		912		18	
29.9	46.87	0.37	113	0.9	0.35	107	B				C	C		910		19	
28.1	49.76	0.25	81	1.2	0.31	101	B				C	C		712		20	
22.6	61.89	0.25	101	1.1	0.26	107	B				C	C		710		21	

The dynamic efficiency is **0.96** for all ratios *Nel montaggio P la flangia può superare l'ingombro massimo dei piedi. Eventualmente utilizzare la flangia B14
* In the P mounting the B5 motor flange can exceed the foot maximum dimensions. Possibly use the flange B14

Motor Flanges Available Flange Motore Disponibili **B) Supplied with Reduction Bushing** Fornito con Bussola di Riduzione **Available on Request without reduction bushing** Disponibile a Richiesta senza Bussola di Riduzione **Motor Flange Holes Position** Posizione Fori Flangia Motore

EN Unit **302A** is supplied with synthetic oil for lifetime lubrication, no maintenance is necessary. See table 1 for lubrication and recommended quantity. In table 2 please see possible radial loads and axial loads on the gearbox.

I Il riduttore **302A** viene fornito completo di olio sintetico per la lubrificazione permanente e non necessita di alcuna manutenzione. Vedi tab.1 per oli e quantità consigliati. In tab.2 sono presenti i carichi radiali e assiali applicabili al riduttore.

D Das Getriebe **302A** ist mit synthetischem Öl gefüllt und ist lebensdauergeschmiert. In Tabelle 1 ist die Schmiermenge und das empfohlene Schmiermittel angegeben. In Tabelle 2 sind die zulässigen Radial - und Axialbelastungen des Getriebes aufgeführt.

F Le réducteur **302A** est fourni complet avec de l'huile synthétique pour la lubrification permanente et ne nécessite aucun entretien. Voir tableau 1 concernant les huiles et les quantités conseillées. Les charges radiales et axiales applicables au réducteur sont précisées dans le tableau 2.

E El reductor tamaño **302A** se suministra, lubricado de por vida con aceite sintético y no requieren mantenimiento alguna. Ver tabla 1, para cantidades y aceites recomendados. En la tabla 2, se encuentran las cargas radiales y axiales admitidas por el reductor.

LUBRICATION 302A Oil Quantity 0.15 Lt.


AGIP Telium VSF 320	SHELL Omala S4 WE 320
----------------------------	------------------------------

For all details on lubrication and plugs check our website tab. 1
Per maggiori dettagli su lubrificazione e tappi olio vedi il nostro sito web

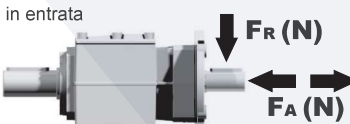
RADIAL AND AXIAL LOADS

Output shaft
Albero di uscita

$F_{eq} = F_R \cdot \frac{35.7}{X+20.7}$



Input shaft
Albero in entrata



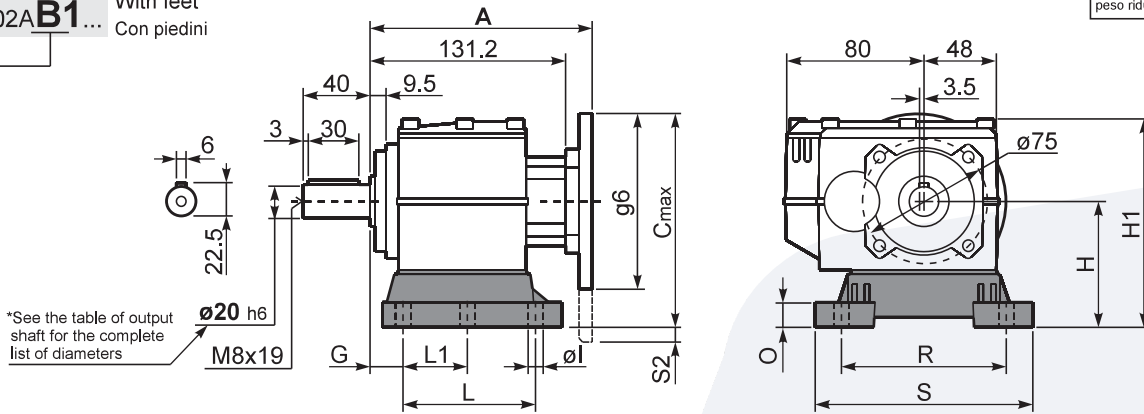
n ₂	FA	FR	n ₂	FA	FR	n ₂	FA	FR
300	140	700	140	246	1320	70	340	1700
250	151	756	120	270	1350	40	380	1900
200	185	924	85	300	1500	15	-	-

n ₁	FA	FR
1400	226	1130
900	264	1320
500	322	1610

tab. 2

Gearbox weight With flange **3.5 kg**
peso riduttore With feet **4.0 kg**

P302A-B1... With feet
Con piedini



*See the table of output shaft for the complete list of diameters

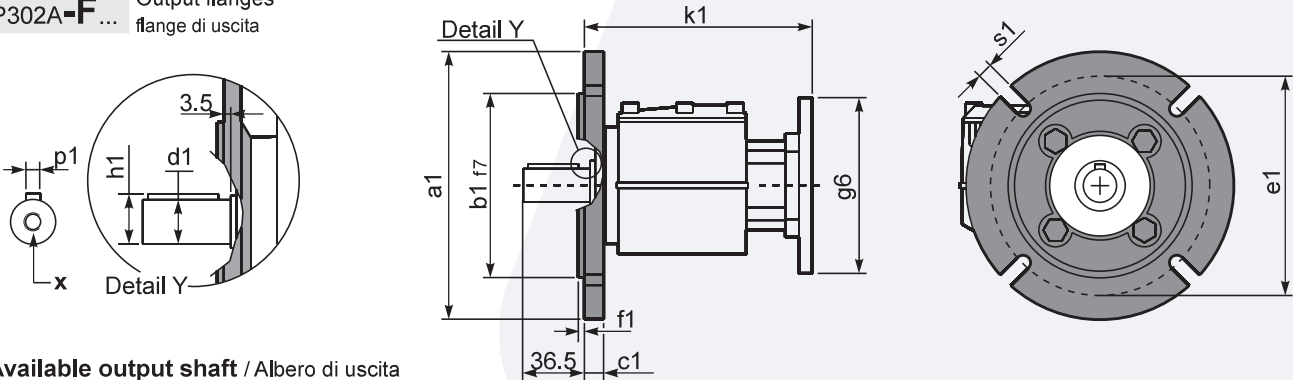
Feet Code	Market reference	G	H	R	L	L1	S	H1	O	øI	S2 only with motor flange	B5 max. Flange	kit code
B1	112	18	85	110	87	50	130	133	15	9	15 80/90B5	-	KC30.9.022
B2	212/3	18	100	130	107.5	60	155	145	5	11	3.5 80/90B5	-	KC30.9.023LM
S1	17-32	18	75	110	110	50	130	123	15	9	5 71B5	71B5	KC30.9.024
S2	27	25	90	110	130	-	130	135	5	9	-	71B5	KC30.9.025LM

Other feet are available, please contact Alpathek for information.

A see on page bottom

Most popular types
Tipi più diffusi

P302A-F... Output flanges
flange di uscita



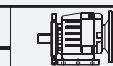
*Available output shaft / Albero di uscita

	Shaft - d1	p1	h1	x
Standard	ø 20x40	6	22.5	M8x19
On request A richiesta	ø 14x30	5	16	M6x16
	ø 16x40	5	18	M6x16
	ø 19x40	6	21.5	M6x16
	ø 24x50	8	27	M8x19
	ø 25x50	8	28	M8x19
	ø 28x50	8	31	M8x19

Available output flanges / flange di uscita

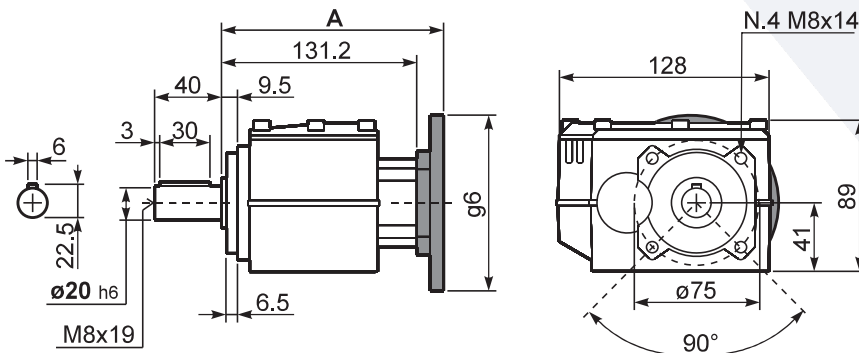
a1 ø	b1	c1	e1	f1	s1	kit code
120	80	11.5	100	3	9*	KC30.9.010
140	95	11.5	115	3	9	KC30.9.011
160	110	11.5	130	3.5	9	KC30.9.012
200	130	11.5	165	3.5	11	KC30.9.013

* Holes position
Posizione fori

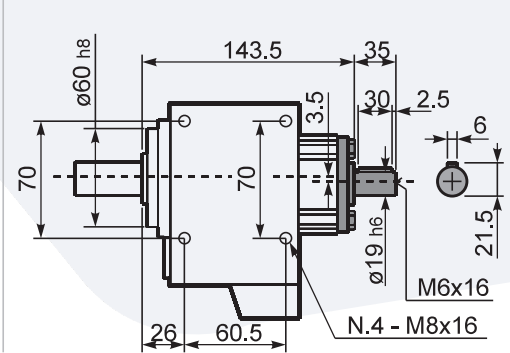


With flange and feet only on request. Ask for compatibility

P302A-N... Basic gearbox
Riduttore base



R302A-N... Input Shaft
Albero in entrata



B5 Motor Flanges	A	C _{max}	g6	k1	kit code
63 B5	151.7	170	140	155.2	K063.4.041
71 B5	149.7	180	160	153.2	K063.4.042
80/90 B5	151.7	200	200	155.2	K063.4.043

B14 Motor Flanges	A	C _{max}	g6	k1	kit code
71 B14	149.7	152.5	105	153.2	K063.4.047
80 B14	151.7	160	120	155.2	K063.4.046
90 B14	151.7	170	140	155.2	K063.4.041